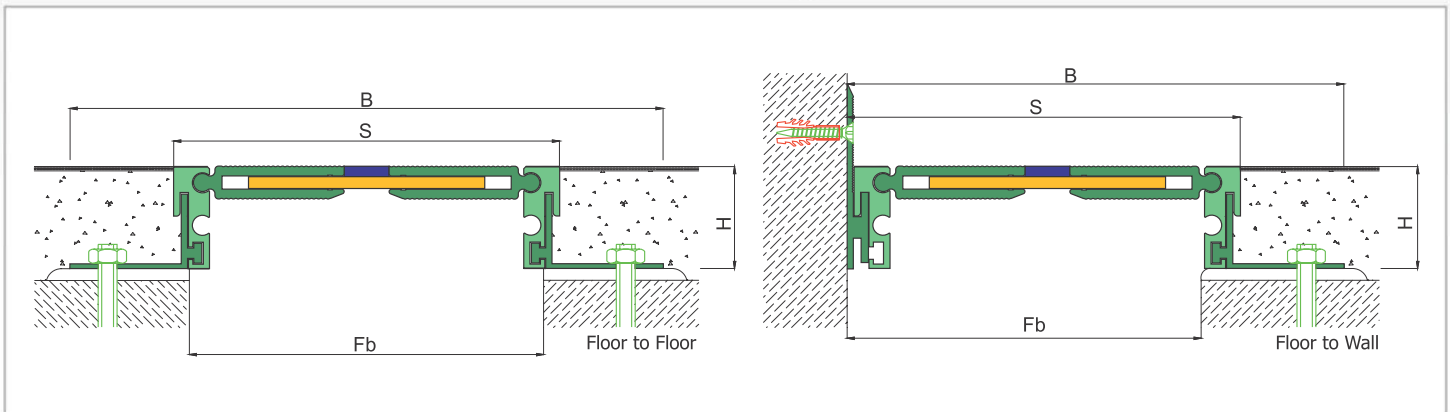
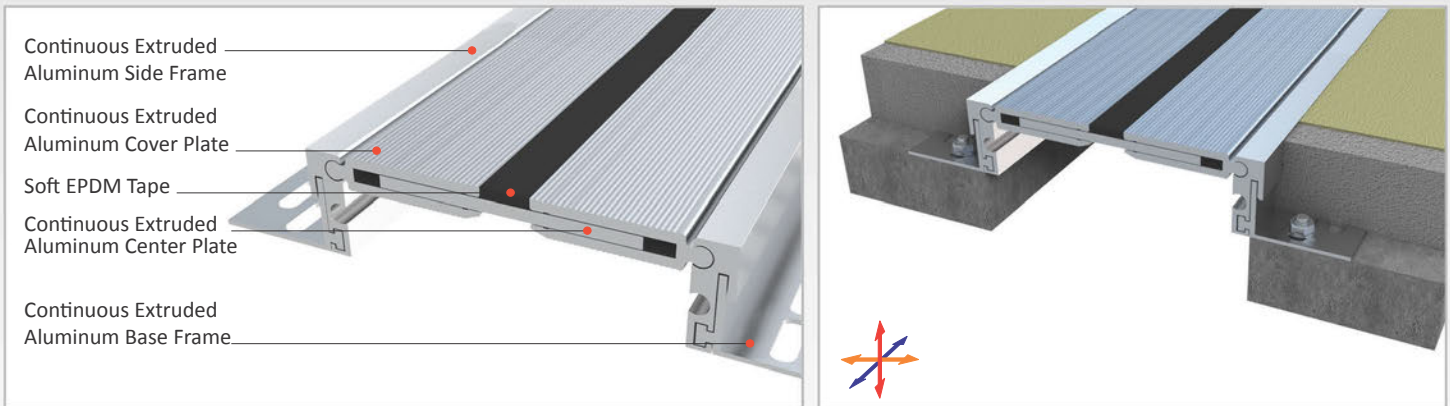


AS A227 flush mounted floor profiles are applicable to all types of floors and load bearing capacities are designed for heavy vehicles, cars or pedestrians depending on the gap required. Pure metal structure characterizes AS A227 as a hardwearing & maintenance free profile and makes it ideal for the places with heavy pedestrian traffic. Round-headed articulated design enables the profile to meet displacements in 3 directions. Click-fit profile structure lets the profile to be installed at different heights by changing the base frame. Profiles are delivered factory - assembled and for wide gaps soft EPDM tape is placed on the center plate to align the distance between the side frames. For surface mounted applications AS U237 model is available.

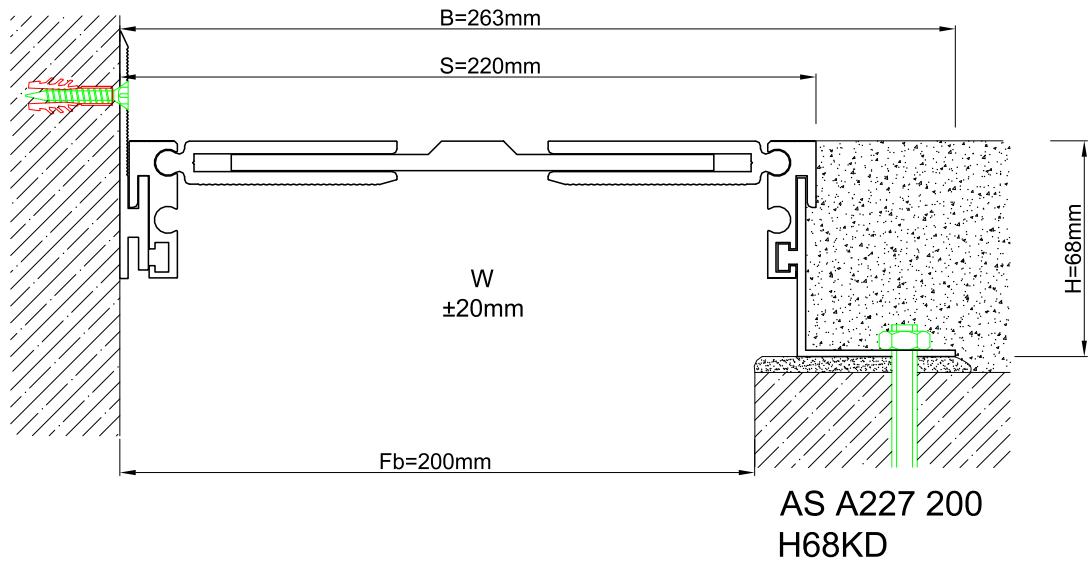
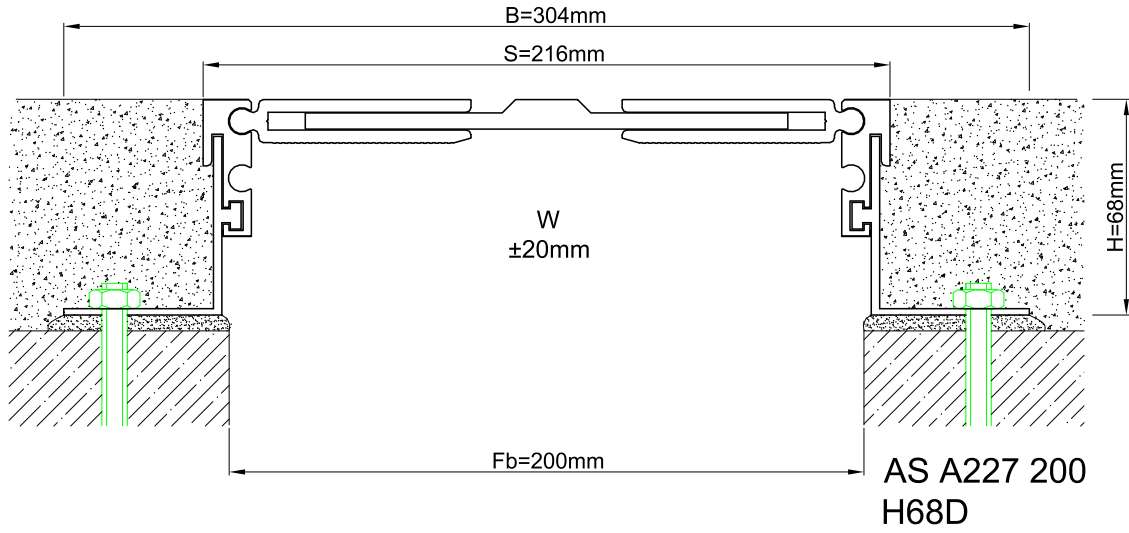
- Application Areas** : Indoor & Outdoor / Floor
- Ideal for** : Factories, Warehouses, Car Parks, Airports, Shopping Malls, Hospitals, Commercial & Public Buildings etc.
- Material** : Mill Finish Aluminum (Anodizing optional), Soft EPDM tape
- Aluminum Alloy** : 6063 AA-USA / EN AW 6063
- Optional Supplies** : Fire Barrier, Waterproof EPDM membrane




* Visuals are representative and the profile configuration may differ depending on the characteristics requested.

| LOCATION | MODEL | GAP (Fb) mm | HEIGHT (H) MM | OVERALL WIDTH (B) mm | VISIBLE WIDTH (S) mm | MOVEMENT (W) mm | LOAD CAPACITY | STANDARD LENGTH (mt) |
|----------------|-------------|-------------|-------------------|----------------------|----------------------|-----------------|---------------|----------------------|
| Floor to Floor | AS A227-050 | 50 | 43 / 58 / 68 / 88 | 157 | 70 | ± 8 | 35 kN 120 kN | 3 |
| | AS A227-080 | 80 | 43 / 58 / 68 / 88 | 185 | 97 | ± 10 | 25 kN 60 kN | 3 |
| | AS A227-100 | 100 | 43 / 58 / 68 / 88 | 200 | 112 | ± 12 | | 3 |
| | AS A227-120 | 120 | 43 / 58 / 68 / 88 | 225 | 137 | ± 10 | | 3 |
| | AS A227-140 | 140 | 43 / 58 / 68 / 88 | 240 | 167 | ± 16 | | 3 |
| | AS A227-150 | 150 | 43 / 58 / 68 / 88 | 250 | 163 | ± 18 | | 3 |
| | AS A227-180 | 180 | 43 / 58 / 68 / 88 | 280 | 193 | ± 20 | | 3 |
| | AS A227-200 | 200 | 43 / 58 / 68 / 88 | 318 | 230 | ± 20 | | 3 |

Note: Please ask for different sizes



| Profil No Profile Number | AS A227 200 | AS A227 200K |
|---|---|--------------|
| Fb (mm) | 200 | 200 |
| H (mm) yaklaşık approx. | 68 | 68 |
| W± (mm) yaklaşık approx. | ±20 | ±20 |
| Renk Color | Alüminyum: Natürel Aluminum: Natural | |
| Malzeme Material | Alüminyum Aluminum | |
| Standart Uzunluk Standard Length | 3 | |
| Yükleme Kapasitesi Load-Bearing Capacity |  | |